

## Drop-In Drop-in remote refrigerated quartz surface (5 GN container capacity)

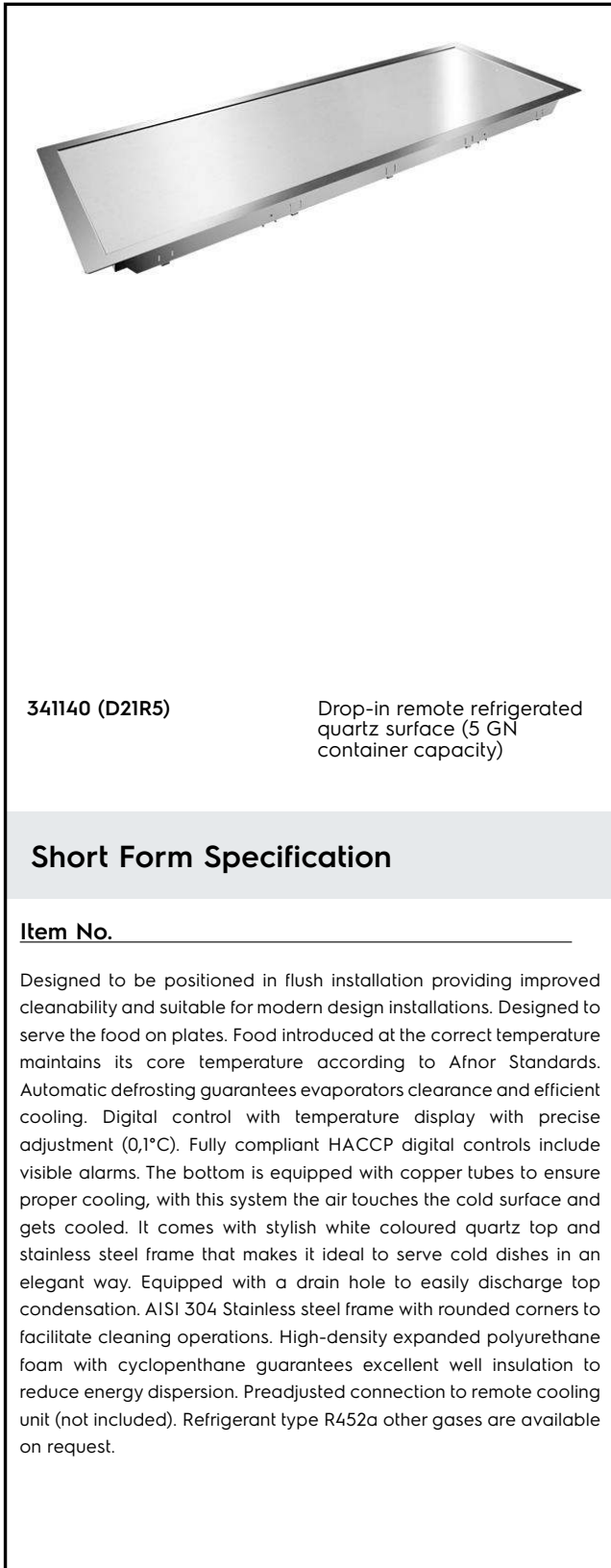
ITEM # \_\_\_\_\_

MODEL # \_\_\_\_\_

NAME # \_\_\_\_\_

SIS # \_\_\_\_\_

AIA # \_\_\_\_\_


**341140 (D21R5)**

 Drop-in remote refrigerated  
 quartz surface (5 GN  
 container capacity)

### Short Form Specification

#### Item No.

Designed to be positioned in flush installation providing improved cleanability and suitable for modern design installations. Designed to serve the food on plates. Food introduced at the correct temperature maintains its core temperature according to Afnor Standards. Automatic defrosting guarantees evaporators clearance and efficient cooling. Digital control with temperature display with precise adjustment (0,1°C). Fully compliant HACCP digital controls include visible alarms. The bottom is equipped with copper tubes to ensure proper cooling, with this system the air touches the cold surface and gets cooled. It comes with stylish white coloured quartz top and stainless steel frame that makes it ideal to serve cold dishes in an elegant way. Equipped with a drain hole to easily discharge top condensation. AISI 304 Stainless steel frame with rounded corners to facilitate cleaning operations. High-density expanded polyurethane foam with cyclopentane guarantees excellent well insulation to reduce energy dispersion. Preadjusted connection to remote cooling unit (not included). Refrigerant type R452a other gases are available on request.

### Main Features

- Preadjusted connection to remote cooling unit (not included).
- CB and CE certified by a third party notified body.
- Designed to be positioned in flush installation providing improved cleanability and suitable for modern design installations.
- Precise temperature control and setting at 0,1°C .
- As standard the product comes with digitally controlled thermostat which is in line of HACCP norms and provides visual alarm as a warning of the increasing or decreasing temperatures.
- Available drop-in dimensions: 1, 2, 3, 4, 5, 6 GN.
- Food introduced at the correct temperature maintains its core temperature according to Afnor Standards.
- Automatic defrosting guarantees evaporators clearance and efficient well cooling.
- Designed to serve the food on plates .
- When the temperature of the surface is cooled down to below 0 °C, the humidity in the air forms ice on the surface. If there is air circulation in the ambient, there is condensation on the surface instead of ice.
- Equipped with a drain hole to easily discharge top condensation.
- It comes with stylish white coloured quartz top and stainless steel framed that makes it ideal to serve cold dishes in an elegant way.
- Built-in cooling unit version is available.

### Construction

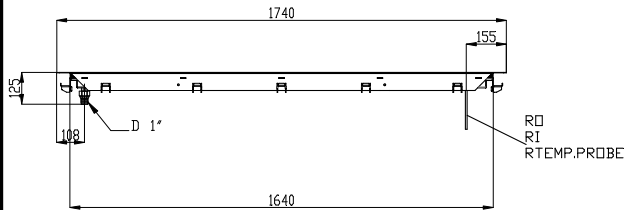
- Electronic control with temperature display.
- IPx2 water protection.
- The bottom is equipped with copper tubes to ensure proper cooling, with this system the air touches the cold surface and gets cooled.
- AISI 304 Stainless steel frame with rounded corners to facilitate cleaning operations.
- White quartz surface (other quartz colors are available on request).

### Sustainability

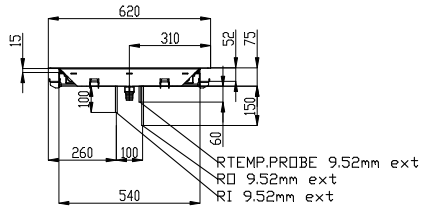
- High-density expanded polyurethane foam with cyclopentane guarantees excellent well insulation to reduce energy dispersion.

APPROVAL: \_\_\_\_\_

Front

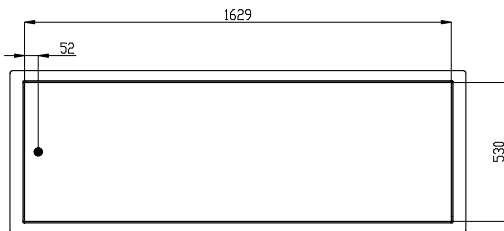


Side



- D = Drain
- EI = Electrical inlet (power)
- RI = Refrigerant Inlet

Top



**Electric**

Supply voltage:  
341140 (D21R5) 220-240 V/1N ph/50 Hz  
Electrical power max.: 0.02 kW

**Water:**

Water drain outlet size: 1"

**Key Information:**

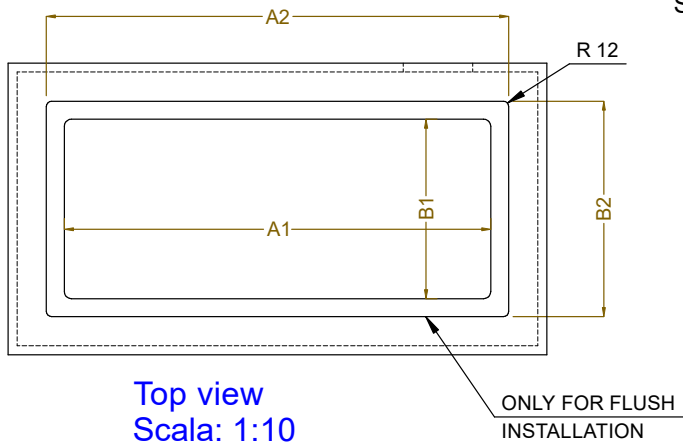
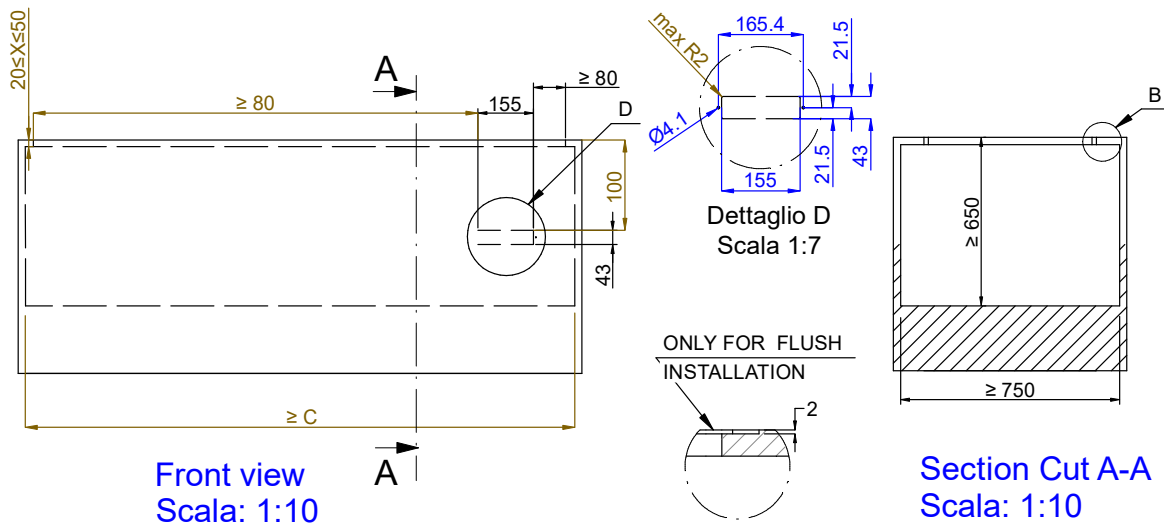
External dimensions,  
Width: 1740 mm  
External dimensions,  
Depth: 620 mm  
External dimensions,  
Height: 80 mm  
Net weight: 37.5 kg  
Shipping weight: 59.9 kg  
Shipping height: 200 mm  
Shipping width: 660 mm  
Shipping depth: 1780 mm  
Shipping volume: 0.23 m<sup>3</sup>  
Set temperature: -10 / 0 °C  
Top temperature: -10 / 0 °C

**Refrigeration Data**

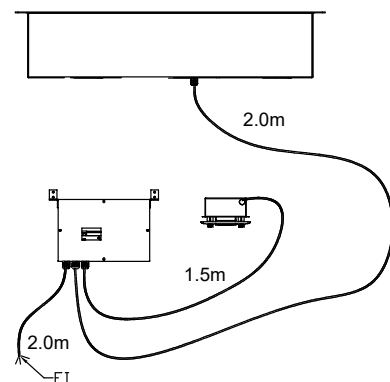
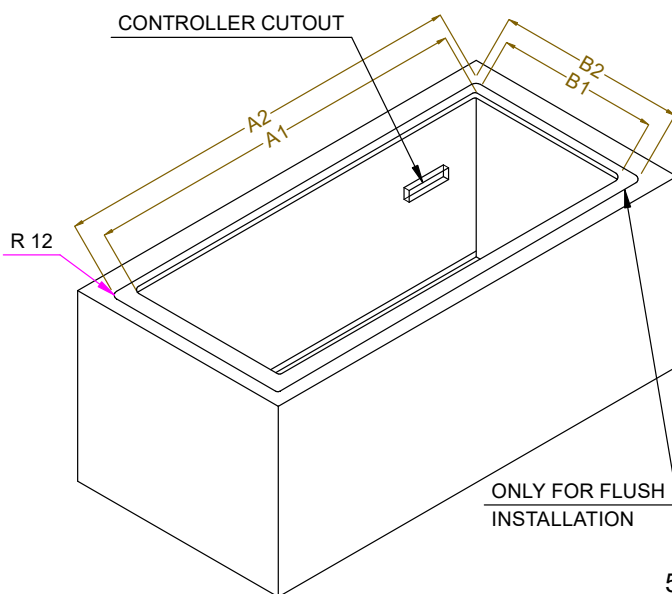
Refrigerant type: R452A  
Suggested refrigeration  
power: 1068 W  
Condition at condensation  
temperature: 45 °C  
Condition at ambient  
temperature: 25 °C  
Connection pipes (remote)  
- outlet: 12.7 mm  
Connection pipes (remote)  
- inlet: 9.52 mm

**Sustainability**

Noise level: 0 dBA



CAPACITY	CUTOUT		LOWERING FOR FLUSH INSTALLATION		C
	A1	B1	A2	B2	
1GN	355	560	454	624	535
2GN	680		774		855
3GN	1010	1104	624	1190	
4GN	1330	1424	1510		
5GN	1660	1744	1835		
6GN	1985	2074	2165		



595T02000 - COLD SURFACE REMOTE